

Shengshihean Interactive Flat Panel 65" Andriod 11 8GB/128GB
65inch 4K interactive panel



Product overview

1. It adopts all-aluminum alloy panel structure, anodized surface technology, ultra-narrow frame, rounded corner design, and the appearance is fashionable and beautiful.
2. 4mm physical anti-riot high-transparency tempered glass with level 7 of Mohs standard.
3. 40-point touch writing experience to meet the needs of different users, writing at will.
4. The OPS host module adopts the plug-in structure design, the internal Inter standard 80pin interface, without any external power cord and signal line, which is convenient for inspection, maintenance and upgrade, and achieves the aesthetic effect of the fuselage.
5. Front expansion port: 1xHDMI, 1xUSB touch, 3xUSB-A 3.0, 1xUSB-C.
6. There are 8 functional physical buttons in the front: POWER, Input, Menu, V+, V-, ECO, Home, PC-POWER. The OPS computer switch button is independently configured, which is easy to understand and easy to operate.
7. The design of the front speaker outlet prevents the sound effect from being noisy and distorted due to the built-in.
8. The high-performance infrared touch frame solution with anti-blocking and anti-stain functions is adopted, and the touch reception will not affect normal writing even after the single-point or multi-point infrared emission point is blocked.
9. Ambient light sensor. The whole machine intelligently senses changes in ambient light and lighting and automatically adjusts the screen brightness to achieve the best display effect in different lighting environments, effectively protect the eyesight of teachers and students, and achieve energy-saving effects.
10. Intelligently identify the signal source, and automatically jump into the port channel when the external signal is connected.
11. Support the pull-up touch menu at the bottom of the whole machine. The menu functions include the return key, Android home page, menu, task preview, channel switching, volume addition and subtraction, brightness adjustment, full channel annotation, screenshots, and quick electronic whiteboard operations.
12. WIFI supports 2.4G/5.8G (IEEE 802.11a/b/g/n 11ac). Bluetooth.
13. Access and control your devices instantly through the cloud. You can control and wakeup screens remotely, lock screens when necessary, and more. The in-built Android technology gives you full control over your ecosystem, wherever you are.
14. Android App Store - Google Play.
15. Wireless screen sharing app with Miracast and AirPlay support.
16. Built-in software in the display - wirelessly connect to a smartphone, tablet, or computer allowing you to share up content to the screen.

Product parameter description

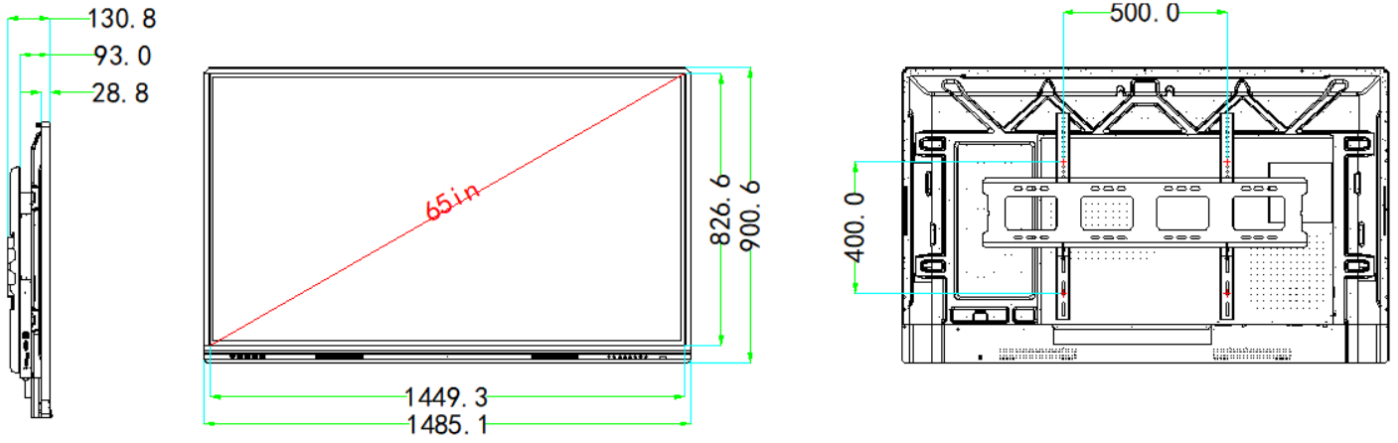
65inch specifications	
Size	65"
Bare metal size	1485.1 x 93 x 900.6 mm
Package dimensions	1653 x 235 x 1037 mm
Display area	1449.3 × 826.6 mm
Dot pitch	0.372 x 0.372 mm

Resolution	3840 x 2160 (4K / UHD) 60Hz
Brightness	500 cd/m ²
Contrast	4000:1
Viewing angle	178°,178°
Response time	8 ms
Display color	10 bit/1.07 Billion
Backlight	DLED
Screen life	120000 hours
Speaker	2*20 W (40 W)
Power	180 W (0,18 kW/h)
Operating Voltage	100V-240 VAC, 50/60 Hz
Net weight / gross weight	34.8 Kg / 43.7 Kg
On / off	With a button on the front panel, remote control or with five fingers simultaneously (at least 5 sec.) touching the display

Android motherboard configuration parameters	
Android resolution	3840 x 2160 (4K / UHD) 60Hz
RAM	8 GB
Storage	128 GB
Version	Android 11.0 (4K / UHD, 60 Hz)
Front port	USB3.0*3, USB-B TOUCH*1, HDMI (4K, 60 Hz)*1, USB-C*1 (fully functional: video 4K 60 Hz, audio, touch, charge)
Rear port	HDMI (4K, 60 Hz)*3, USB2.0*1, USB3.0*2, USB-C*1, Audio in*1, Audio out*1, RJ45*2, RS232*1, SPDIF out*1, Earphone*1, USB-B TOUCH *1, OPS PC *1, HDMI out *1

Touch-embedded	Built-in integrated
Technology	IR
Space between panel and protective glass	Zero bonding
Notation	Fingers, stylus or other non-transparent objects
Touch points	40 points. Android and Windows
Touch accuracy	Less than 1 mm
Responding speed	Less than 8 ms
Touch resolution	32768 x 32768
Number of touches	Unlimited theoretical number of times
Scanning frequency	> 100 Hz/S
Driver	The system automatically recognizes, no drive
Operating system	Support Windows, Android, Mac OS, Linux
Operating temperature	-10 + 50 °C
Operation time	24/7
NFC Reader	Yes
Motion sensor	1
Warranty	2 years. Warranty may differ. Contact your local partner for more information

Size drawing



Photo



Accessories

Specs	
Power cable, HDMI cable, USB cable	5m
WiFi Antenna	x4
Warranty Card	x1
Remote control	x1
Touch pen	x2
Wall mount	x1

Shengshihean may make changes to specifications and product descriptions without notice.

Copyright © 2020 Beijing Shengshihean Electronics Technology Co.,Ltd. All rights reserved.

The names of products and brands mentioned here may be the trademarks of their respective owners.

Beijing Shengshihean Electronics Technology Co.,Ltd.

http://www.shengshihean.com/index_en.html